

# Steamfast™

MODEL

SF-370



MULTI-PURPOSE STEAM CLEANER

OWNER'S GUIDE

# IMPORTANT SAFETY INSTRUCTIONS

This owner's guide and any additional inserts are considered part of the product. They contain important information about safety, use, and disposal. Before using the product, please familiarize yourself with all operating and safety instructions. Please keep all documents for future reference and pass these documents on, together with the product, to any future owner. See our website for the most current version of this owner's guide.

**INTENDED USE:** This product is intended to be used indoors for household cleaning in the United States and/or Canada. This product is not intended for commercial or industrial uses. The manufacturer assumes no responsibility for damage or injury due to unauthorized use or product modification. Failure to follow these directions will void the product warranty.

**WARNING: Risk to Children and Impaired Persons**

Supervision is required during the installation, operation, cleaning and maintenance of this product by children under age 12 and anyone with reduced physical, sensory or mental capabilities. Children should be supervised to ensure that they do not play with the appliance, its parts and packaging material.

**Directions to reduce risk of fire, electrical shock, and injury:**

1. Read all instructions before use.
2. If an extension cord is necessary, use a properly rated cord (15 ampere, 14 gauge). Use care to position extension cord where it is least likely to be damaged or tripped over during use.
3. Before plugging power cord into electrical outlet, be sure that all electrical information on rating label agrees with your power supply.
4. To reduce likelihood of circuit overload, DO NOT operate another high wattage appliance on the same circuit as this unit.
5. To protect against risk of electrical shock, do not immerse unit in water or other liquids. Do not use power cord as handle, let it hang over edges of counters, or be crimped or closed in doors.
6. Never yank power cord to disconnect from outlet; instead, grasp plug and pull to disconnect.
7. Do not operate unit with a damaged power cord or if the unit has been dropped or damaged. To avoid risk of electrical shock, do not disassemble unit; contact Steamfast Consumer Service for examination and repair. Incorrect reassembly can cause a risk of electrical shock when unit is used.
8. A loose fit between wall outlet (receptacle) and plug may cause overheating and distortion of the plug. Discontinue use of the product in this outlet. Contact a qualified electrician to replace loose or worn outlets.
9. Do not leave unit unattended while plugged in.
10. Do not use unit where aerosol-based products are being used, or where oxygen is being administered.
11. Unit is only meant to be used with recommended model SF-370 accessories. Using other types of attachments may cause damage to unit or injury.
12. If Lighted On/Off Switch does not illuminate when set to "ON" position while power cord is plugged in, unit is not operating normally. Immediately disconnect cord from power supply, then refer to troubleshooting guide of this manual for assistance.
13. Always turn unit off and unplug power cord before filling Reservoir with water. Do not attempt to use unit without properly filling Reservoir.
14. When filling Reservoir, only water should be used in unit – other cleaning agents could damage unit or cause injury. Distilled or de-mineralized water is highly recommended, in order to minimize potential build-up of mineral deposits. Do not fill Reservoir with more than 48 oz. (1,420 ml.) of water.
15. To avoid burns from escaping steam when removing Reservoir cap to refill unit:
  - Always allow unit to cool for 5-10 minutes.

- Press and hold Steam Button to release all remaining steam pressure.
16. To reduce risk of contact with hot water emitting from Main Nozzle, check appliance before each use by positioning it away from body and turning it on. Do not operate unit if Main Nozzle is blocked.
  17. Burns can occur from touching hot metal parts, hot water, or steam. Do not touch Main Nozzle or attempt to connect accessories while unit is in use. Do not touch bottom of Mop Head or attempt to attach a Microfiber Pad by hand while unit is in use. Use caution when you turn unit upside-down – there may be hot water in Reservoir.
  18. Use caution when using unit on uneven surfaces, such as stairs.
  19. When steaming any surface for the first time, it is recommended that you consult the manufacturer’s guidelines for material being steamed. For items in question, test on an inconspicuous area before proceeding.
  20. Steaming unsealed hardwood or unglazed ceramic surfaces is not recommended, and may result in warping or damage to the surface. Steam may remove the sheen from surfaces treated with wax.
  21. When steam mopping, never leave unit resting in one spot on any surface for any period of time – prolonged exposure to heat and moisture may damage floor surfaces.
  22. Do not allow power cord to touch hot surfaces during use. Bundle cord loosely when storing.
  23. Always allow Canister Steam Cleaner to cool (at least 30 minutes for complete cooling) and empty Reservoir before storing. Do not store unit with a damp Microfiber Pad still attached.
  24. This product for use on 120 volt electrical outlets. The cord has a plug as shown at A in Figure 65.1. An adapter, as shown at C, can be used to connect three-blade grounding-type plugs to two-slot receptacles (it is not included with your product). The green grounding lug extending from the adapter must be connected to a permanent ground such as a properly grounded outlet box. An adapter should not be used if a three-slot grounded receptacle is available. \*NOTE: A TWO-PRONG ADAPTOR IS NOT INCLUDED WITH THIS PRODUCT.

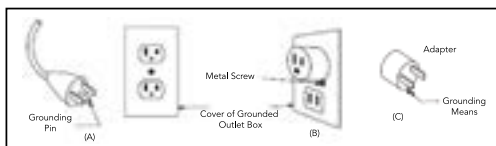


Figure 65.1

**FCC CONSUMER ADVISEMENT:** This equipment may generate, use and/or radiate radio frequency energy that may cause harmful interference to radio communications. Unauthorized use or modification of this product increases interference risk and may cause FCC revocation of permission to operate. To determine whether the equipment causes harmful interference, please turn the equipment on and off while simultaneously using a radio or television. If interference is suspected, the user is encouraged to contact Steamfast Consumer Service at 1-800-711-6617.

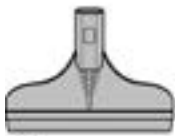
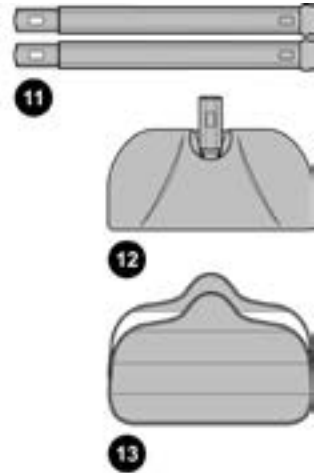
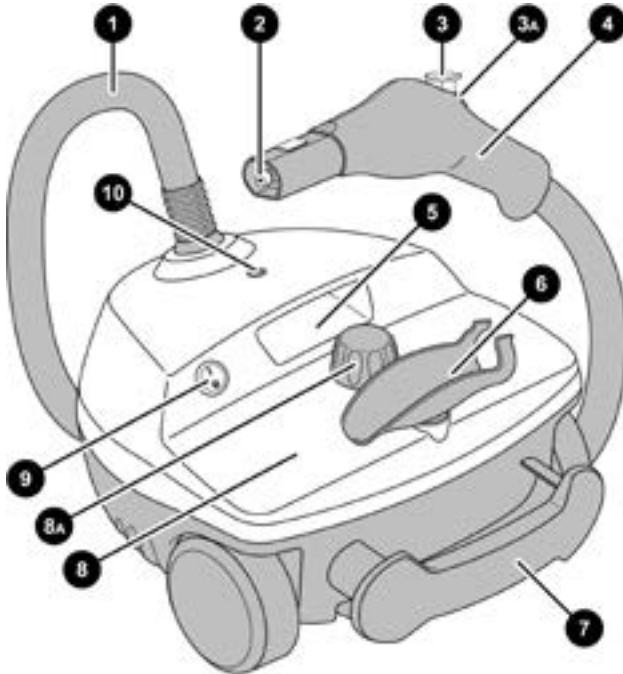
## SAVE THESE INSTRUCTIONS

### Questions or comments?

- steamfast.com
- consumerservice@steamfast.com
- 1-800-711-6617

**Speak your mind! We invite you to review this product online:**  
[steamfast.com/reviews](https://steamfast.com/reviews)

The following features and accessories are included with your Multi-Purpose Steam Cleaner. Carefully inspect the packing material for all parts listed below. To obtain possible missing parts, refer to **Product Support** on Page 14 of this manual for Consumer Service contact information.



## UNIT FEATURES & ACCESSORIES

- 1 Steam Hose
- 2 Steam Nozzle
- 3 Steam Trigger
- 3A Steam-Lock Switch
- 4 Handle
- 5 Hand Grip
- 6 Nozzle Cradle
- 7 Cord Wrap
- 8 Reservoir (internal)
- 8A Reservoir Cap
- 9 Lighted On/Off Switch
- 10 Heating Indicator Light
- 11 Extension Wands (2)
- 12 Mop Head
- 13 Microfiber Pads (2)
- 14 Jet Nozzle
- 15 Squeegee
- 16 Scrub Tool
- 17 Corner Tool
- 17A Corner Tool Scrub Pad
- 17B Corner Tool Sponge Pad
- 18 Nylon Utility Brushes (2)
- 19 Brass Utility Brush
- 20 Measuring Cup

- 
- The *Steam Hose* (1) safely channels the flow of steam from the *Reservoir* to the *Steam Nozzle*.
  - The *Steam Nozzle* (2) emits a powerful flow of steam when the *Steam Trigger* is pressed.
  - The *Steam Trigger* (3) provides full steam-on-demand control, releasing hot, penetrating steam from the *Steam Nozzle* when pressed.
  - The *Steam-Lock Switch* (3A) is pushed forward to lock the *Steam Trigger* down and provide continuous, hands-free steaming.
  - The *Handle* (4) is designed to stay cool while providing the optimum amount of safety and user comfort.
  - The *Hand Grip* (5) provides a convenient means for lifting the unit up stairs and over obstacles.
  - The *Nozzle Cradle* (6) functions as a convenient holder for the *Steam Nozzle*.
  - The *Cord Wrap* (7) is designed to hold the power cord when not in use, and includes a compartment for storing small accessories.
  - The *Reservoir* (8) is the internal reservoir where water is held and heated into steam. For optimal steam production, water level in the *Reservoir* should not exceed 48 oz (1,420 ml) of water.
  - The *Reservoir Cap* (8A) is designed to safely contain steam inside the *Reservoir*. The *Reservoir Cap* must be unscrewed and removed in order to fill the *Reservoir* with water.
  - The *Lighted On/Off Switch* (9) activates and deactivates the unit, and illuminates to provide a clear visual indication of whether the unit is powered on.
  - The *Heating Indicator Light* (10) illuminates while the *Reservoir* is heating, then turns off when the unit is ready to begin steaming.
  - The *Extension Wands* (11) connect to the *Steam Nozzle*, allowing for floor mopping as well as easier cleaning in high or hard-to-reach places.
  - The *Mop Head* (12) connects to the *Extension Wands*, and is designed for steam cleaning a variety of hard floor surfaces.
  - The *Microfiber Pads* (13) attach to the *Mop Head*, and are designed for removing scuffs and stains from hard floors. The *Microfiber Pads* are reusable and machine washable.
  - The *Jet Nozzle* (14) focuses the flow of steam from the *Steam Nozzle*, and serves as the base to which the *Utility Brushes* and *Scrub Tool* connect.
  - The *Squeegee* (15) connects to either the *Steam Nozzle* or *Extension Wands*, and can be used to clean mirrors, windows and other smooth glass surfaces.
  - The *Scrub Tool* (16) connects to the *Jet Nozzle* and is designed to scrub tough dirt and scuffs from surfaces.
  - The *Corner Tool* (17) connects to either the *Steam Nozzle* or *Extension Wands*, and is designed to clean in narrow spaces, such as corners and crevices. The *Corner Tool* includes two interchangeable attachments: a *Scrub Pad* (17A) and *Sponge Pad* (17B) for use on various surfaces.
  - The two *Nylon Utility Brushes* (18) connect to the *Jet Nozzle*, providing extra scrubbing power for removing exceptionally tough dirt and stains. The *Nylon Utility Brushes* are ideal for use on many surfaces around the home, including carpet, ceramic tile, grouting, and more.
  - The *Brass Utility Brush* (19) connects to the *Jet Nozzle* and is designed for removing tough stuck-on grease and grime from durable surfaces. The *Brass Utility Brush* is perfect for use on BBQ grills, oven racks, automobile engines, shop tools and other hard metal surfaces.

**NOTE: Use careful judgement when deciding what surface to clean with the *Scrub Pads*, *Nylon Utility Brushes* and *Brass Utility Brush*. Some delicate surfaces, such as stainless steel, may be scratched or damaged by rough scrubbing materials or bristles. If you are unsure whether or not a surface will be damaged, it is recommended that you test a small inconspicuous spot before proceeding.**

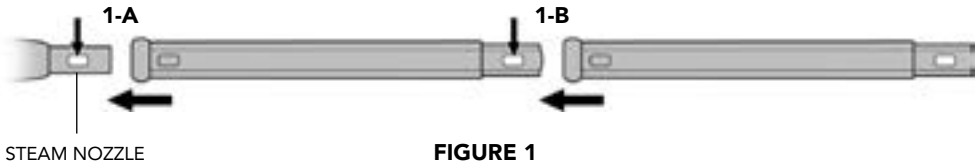
- The *Measuring Cup* (20) provides an easy and convenient way to consistently fill the *Reservoir* with the optimum amount of water.

## STEAM MOPPING ACCESSORIES

**WARNING: Do not try to connect accessories while unit is emitting steam.**

### EXTENSION WANDS

1. Select one of the Extension Wands, and align rear end of wand with Steam Nozzle. Rectangular hole in wand should align with blue lock/release button on nozzle.
2. Press down on blue lock/release button. While continuing to hold button down, slide Extension Wand onto Steam Nozzle (FIGURE 1-A). Push wand over button, and continue pushing until button snaps through hole on wand.
3. Slide second Extension Wand onto end of the one you just connected, this time lining up rectangular hole of second wand with blue lock/release button of first wand. Press and hold button, and firmly push second wand onto end of first wand until button snaps through hole (FIGURE 1-B). Both Extension Wands should now be connected to the Steam Nozzle.



### MOP HEAD

1. Align Mop Head with end of second Extension Wand, so that rectangular hole in Mop Head neck aligns with blue lock/release button on wand.
2. Press down on blue lock/release button. While continuing to hold button down, slide Mop Head neck onto Extension Wand (FIGURE 2-A). Press on firmly until button snaps through hole (FIGURE 2-B).

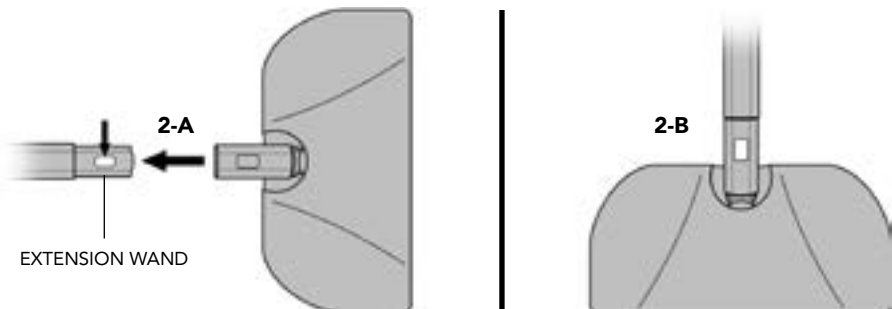


FIGURE 2

## MICROFIBER PADS

1. Lay one Microfiber Pad on flat surface, with two fastener strips facing upward.
2. Align Mop Head above Microfiber Pad. Make sure Mop Head is oriented with pad as shown, and centered as best as possible (FIGURE 3-A).
3. Press Mop Head firmly down onto Microfiber Pad. Fastener strips will adhere to pad grips on underside of Mop Head. Microfiber Pad should now be attached and ready for use (FIGURE 3-B).

**CAUTION:** Use care when handling a recently used Microfiber Pad, as it may still be hot.

**NOTE:** Microfiber Pads are machine washable. To avoid picking up lint, washing separately from other fabrics is recommended. Only use liquid detergent. Avoid using any fabric softeners or bleach. Air drying is recommended; machine drying on a low heat or air dry setting is acceptable as well.

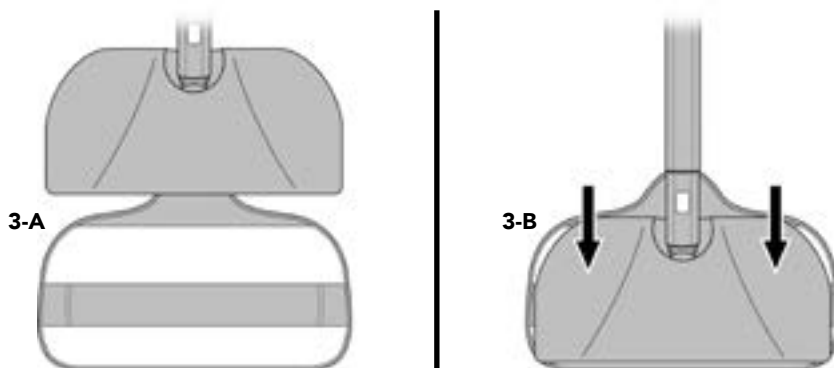


FIGURE 3

The Mop Head and Microfiber Pads are perfect for use on these hard floor surfaces:

- Sealed Hardwood
- Stained Concrete
- Sealed Laminate
- Linoleum
- Ceramic
- Granite
- Marble
- Vinyl
- Tile

**IMPORTANT:** Do not use on unsealed hardwood or unglazed ceramic surfaces. Surfaces that are not properly sealed may be warped or damaged by exposure to heat and moisture.

Care should also be taken when steaming sealed hardwood floors, as prolonged exposure to steam in a single spot may cause damage and discoloration. To avoid this, keep the Mop Head in constant motion on these surfaces.

Steam may remove the sheen from some floors that have been treated with wax.

Extremely rough textured floors may tear or damage Microfiber Pads.

## STEAM CLEANING ACCESSORIES

**WARNING: Do not try to connect accessories while unit is emitting steam.**

### JET NOZZLE / SQUEEGEE / CORNER TOOL

1. Select one of the three accessories (Jet Nozzle, Squeegee or Corner Tool – Jet Nozzle shown as example), and align rear end of accessory with Steam Nozzle. Rectangular hole in selected accessory should align with blue lock/release button on Steam Nozzle.
2. Press down on blue lock/release button (FIGURE 4-A). While continuing to hold button down, slide accessory onto Steam Nozzle (FIGURE 4-B). Push accessory over button, and continue pushing until button snaps through rectangular hole.

**NOTE: The Jet Nozzle, Squeegee and Corner Tool can be connected to the end of an Extension Wand for reaching high or difficult spots. Connect the Extension Wand (or wands) as outlined on Page 6, then connect your desired accessory to the wand in the same way as you would normally connect it to the Steam Nozzle.**

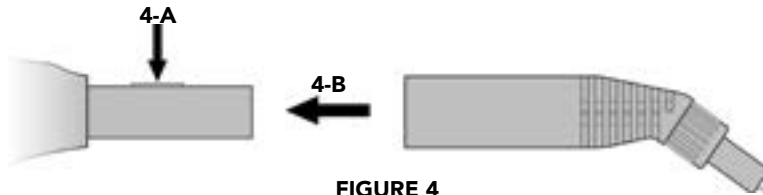


FIGURE 4

### CORNER TOOL PADS

**NOTE: This procedure applies to the Corner Tool Scrub Pad and Corner Tool Sponge Pad.**

1. Swing Corner Tool latch arm to open position (FIGURE 5-A).
2. Press desired pad against Corner Tool (FIGURE 5-B). The pad should wrap around angled edge, covering all steam holes.
3. While continuing to hold pad against Corner Tool, swing latch arm over pad to locked position (FIGURE 5-C). This will secure the pad in place.

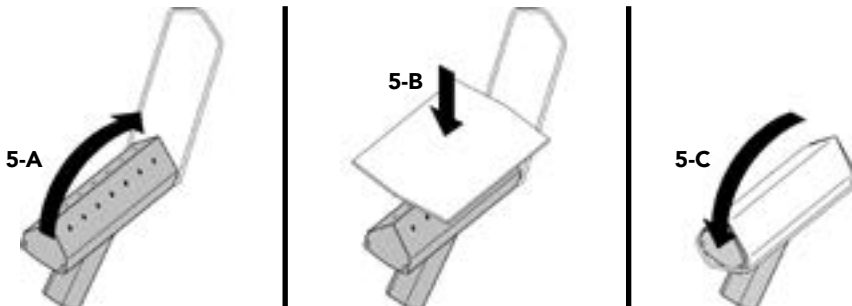


FIGURE 5

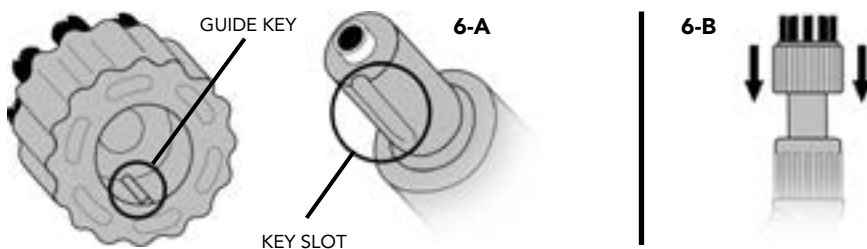


## UTILITY BRUSHES

**NOTE:** The Nylon Utility Brushes and Brass Utility Brush are all attached in the same manner. A Nylon Utility Brush is illustrated in FIGURE 6 as an example.

1. Align selected Utility Brush with Jet Nozzle. Guide key inside of Utility Brush should line up with key slot on Jet Nozzle tip (FIGURE 6-A).
2. Firmly press Utility Brush onto Jet Nozzle (FIGURE 6-B).

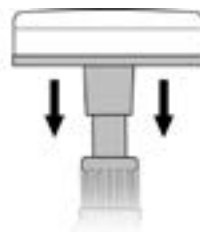
**CAUTION:** Make sure Utility Brush is pushed as far as possible onto Jet Nozzle tip to ensure that it is seated securely. This will eliminate steam leaks and prevent Utility Brush from being forced off of Jet Nozzle by steam pressure.



**FIGURE 6**

## SCRUB TOOL

1. Place Scrub Tool over tip of Jet Nozzle, and firmly press it on to Jet Nozzle as far as possible (FIGURE 7). This will help to prevent steam leakage.
2. To remove Scrub Tool, simply grip it firmly and pull it off of Jet Nozzle.



**FIGURE 7**

## ORDERING ACCESSORIES & PARTS

Replacement accessories and parts for your Multi-Purpose Steam Cleaner (model SF-370) may be ordered through our web site:

[www.steamfast.com](http://www.steamfast.com)

You may also contact Consumer Service directly:

[consumerservice@steamfast.com](mailto:consumerservice@steamfast.com) or 1-800-711-6617

## FILLING RESERVOIR

1. Place Multi-Purpose Steam Cleaner on a flat, level surface.
2. Make sure Lighted On/Off Switch is set to "O" (off) position and power cord is unplugged from electrical outlet.
3. Cautiously remove Reservoir Cap by unscrewing it in a counter-clockwise direction, and lift it off.

 **CAUTION: Refer to refilling procedure below for additional safety precautions that must be taken when refilling the unit after it has been in use.**

4. Reservoir should always be emptied after each use. If it was not emptied after the previous use, empty it now – this will make it easier to fill with the correct amount of water.
5. Fill Measuring Cup to maximum fill line (16 oz / 473 ml) with water.

**NOTE: In order to significantly reduce mineral build-up and prolong the life of your Multi-Purpose Steam Cleaner, use of distilled or de-mineralized water in the unit is highly recommended. Refer to Page 12 for more information about mineral build-up.**

6. Carefully pour water from Measuring Cup into Reservoir through fill hole.
7. Depending on how long you intend to steam, you may repeat steps 5 & 6 up to two more times, up to a maximum of 48 oz (1,420 ml) of water. See chart for a comparison of the amount of water vs. approximate steam time.

Amount of Water	Duration of Steam
16 oz (473 ml)	Approximately 15 min
32 oz (946 ml)	Approximately 30 min
48 oz (1,420 ml)	Approximately 45 min

**NOTE: Do not exceed the Reservoir's maximum capacity of 48 oz (1,420 ml). This will ensure optimum flow of steam with minimal dripping water.**

8. Replace Reservoir Cap, screwing it in a clockwise direction to tighten. Make sure it is screwed on securely to prevent hot water or steam from escaping.

## REFILLING RESERVOIR

 **If unit has been in use, always use the following safety precautions before removing the Reservoir Cap to add water:**

- Allow unit to cool for 5-10 minutes.
- Press and hold Steam Trigger to release all remaining steam. **Steam can remain pressurized inside Reservoir for up to an hour after use.**

**WARNING: Failure to follow these precautions may result in burns from escaping steam when the Reservoir Cap is removed.**

---

## STEAM CLEANING

**NOTE: Be sure that Reservoir has been filled and that all desired accessories are connected before following these steps.**

1. For first time use, remove protective plastic cover from electrical plug. Plug power cord into a convenient electrical outlet.
2. Switch Lighted On/Off Switch to "I" (on) position. Heating Indicator Light will immediately illuminate, indicating that unit is heating.
3. After approximately 2-8 minutes (depending on how much water is in Reservoir), Heating Indicator Light will turn off, indicating that unit is fully heated and ready to begin steaming.
4. Direct Steam Nozzle (and any connected accessories) towards surface you wish to steam, and press Steam Trigger.

**CAUTION: Always be sure that Steam Nozzle and any accessories are pointed in a safe direction (away from yourself, other people, pets, and plants) before pressing Steam Trigger.**

5. Hold Steam Trigger down for a continuous flow of steam. You may also slide the Steam Lock Switch forward while pressing the Steam Trigger to lock it down. This will allow a continuous flow of steam without need of holding the Steam Trigger down manually.
6. Using a slight back-and-forth motion over the area you are steaming will further enhance the cleaning process. Wipe steamed areas with a clean cloth to remove loosened dirt and grime. Wiping the area while it is still wet is recommended, but use caution when wiping surfaces such as metal that may still be hot.

**NOTE: During use, the Heating Indicator Light may illuminate. This is normal. If you notice a drop in steam pressure, release Steam Trigger until Heating Indicator Light turns off again.**

7. To effectively kill bacteria and other microorganisms, hold Steam Nozzle (and any connected accessories) approximately 1/2 inch from surface and press Steam Trigger. Keep Steam Trigger held and concentrate steam on the same spot for at least 5 seconds.
8. Once steaming tasks are complete, immediately set Lighted On/Off Switch to "O" (off) position and unplug grounded power cord from electrical outlet. Follow steps under **Proper Storage** procedure on Page 12 of this manual.

## STEAM MOPPING

**NOTE: Be sure that Reservoir has been filled and that all steam mopping accessories are connected before following these steps.**

**It is recommended to sweep or vacuum hard floors before mopping.**

1. Follow STEPS 1-3 of **Steam Cleaning** section above.

**Refer to Page 7 for a listing of hard floor surfaces that are recommended for cleaning with the Multi-Purpose Steam Cleaner.**

2. For best results, use a steady back-and-forth motion over floor surface, pushing the Mop Head away and pulling it back towards you. Work your way backwards over the floor, in order to avoid walking over freshly mopped areas.

**NOTE: To avoid warping or damage caused by heat and moisture, do not use on unsealed hardwood or unglazed ceramic surfaces. Steam may remove the sheen from some floors that have been treated with wax.**

3. To effectively kill bacteria and microorganisms, repeatedly mop a single small area (approximately 3' x 3' for best results) for at least 2 minutes.
4. The Microfiber Pad will absorb dirt and moisture during mopping. However, when you are finished you may find some residual moisture has been left behind. In this case, it is recommended to allow floor time to air-dry. A fan may be directed towards mopped area to facilitate drying.

## PROPER STORAGE

Preparing your Multi-Purpose Steam Cleaner for storage is quick and simple. When you have finished your steaming tasks, follow the steps listed below.

1. Set Lighted On/Off Switch to “O” (off) position and unplug power cord from electrical outlet.
2. Allow unit to cool (30 minutes for complete cooling).
3. Press and hold Steam Trigger to release all remaining steam pressure.
4. Remove all accessories from unit.
5. Unscrew and remove Reservoir Cap. Drain any remaining water from Reservoir into a sink or tub – this will help to minimize mineral build-up and prevent over-filling during your next use. Loosely replace Reservoir cap.

**NOTE: Do not overtighten Reservoir Cap when storing, as this may make it difficult to remove during next use.**

6. Store accessories safely away - smaller accessories can be conveniently stored in the storage compartment located on the Cord Wrap.
7. Loosely wrap power cord around Cord Wrap and store Multi-Purpose Steam Cleaner in a cool, dry location.

## CARE & MAINTENANCE

A common maintenance need for steam appliances is the removal of build-up caused by high mineral content in many municipal water supplies. This mineral build-up may limit the effectiveness and reduce the life of your Multi-Purpose Steam Cleaner.

**The best way to minimize mineral build-up is to use distilled or de-mineralized water when using your Multi-Purpose Steam Cleaner.** If you are unable to use distilled water, it is recommended that the following procedure be followed monthly to help remove any mineral build-up:

### To remove mineral build-up:

1. Set Lighted On/Off Switch to “O” (off) position and unplug power cord from electrical outlet.
2. Allow unit to cool (30 minutes for complete cooling).
3. Press and hold Steam Trigger to release all remaining steam pressure.
4. Remove all accessories from unit.
5. Unscrew and remove Reservoir Cap, and drain any remaining water from Reservoir into a sink or tub.
6. Fill Measuring Cup with 16 oz (474 ml) distilled vinegar. Carefully pour vinegar into Reservoir.
7. Slowly shake or move unit around to agitate vinegar.
8. Allow to stand for at least 40 minutes, or more if possible.
9. Drain vinegar from Reservoir.
10. Rinse Reservoir with fresh water, drain and repeat until vinegar odor dissipates.
11. Loosely replace Reservoir Cap and continue with normal storage procedure, as outlined in **Proper Storage** section above.

PROBLEM	POSSIBLE CAUSE	SOLUTION
Unit fails to heat up. Lighted On/Off Switch <b>DOES NOT</b> illuminate when set to "I" (on) position.	Unit is not plugged in.	Plug power cord into electrical outlet.
	Household circuit breaker / ground fault interrupter has tripped or blown a fuse.	Reset circuit breaker / ground fault interrupter, or replace fuse. If you need assistance, contact a licensed electrician.
	Unit is damaged or otherwise in need of repair.	Immediately cease usage and unplug. Contact Consumer Service for further assistance (see Page 14 for details).
Unit fails to heat up. Lighted On/Off Switch <b>DOES</b> illuminate when set to "I" (on) position. <b>NOTE: Always allow sufficient time for unit to heat up before pressing Steam Trigger.</b>	Reservoir is empty.	Refer to <b>Filling Reservoir</b> procedure on Page 10.
	Mineral build-up in unit.	Refer to <b>Care &amp; Maintenance</b> section on Page 12 for details.
	Unit is damaged or otherwise in need of repair.	Immediately cease usage and unplug. Contact Consumer Service for further assistance (see Page 14 for details).
Steam output is weak or intermittent.	Water level in Reservoir is running low.	Refer to <b>Refilling Reservoir</b> procedure on Page 10.
	Mineral build-up in unit.	Refer to <b>Care &amp; Maintenance</b> section on Page 12 for details.
Excessive amount of water in steam. <b>NOTE: Unit produces moist steam – it is normal for steam to contain some amount of water.</b>	Water condensation in Steam Hose.	Point nozzle towards sink, tub or ground and shake while pressing Steam Trigger. Continue until excess water is released.
	Reservoir has been overfilled.	Filling Reservoir with more than 48 oz (1,420 ml) of water interferes with steam production, resulting in water condensation in steam. Drain some water out of Reservoir. Always use included Measuring Cup to fill Reservoir with correct amount of water (see Page 10 for details).
	Unit has not heated to full operating temperature.	Wait until Heating Indicator Light turns off to begin steaming.
Accessories do not stay firmly connected to Steam Nozzle / Jet Nozzle.	Accessories not properly installed.	Check to make sure that accessories are properly connected, per procedures on Pages 6-9.
Floor surfaces appear cloudy or streaky after steaming.	Microfiber Pad is dirty.	Replace Microfiber Pad with a clean one.
	Hard water residue on floor.	Switch to distilled or de-mineralized water.

## CONSUMER SERVICE

For problems with your Multi-Purpose Steam Cleaner, please refer to the troubleshooting guide located on Page 13 of this manual. Additional inquiries should be directed to our consumer support services through our Web site, [www.steamfast.com](http://www.steamfast.com).

If you do not have internet access, you may also contact our Consumer Service Department by telephone, at **1-800-711-6617**.

**NOTE: In order for our Consumer Service representatives to help you as quickly and efficiently as possible, please have the following information ready before calling:**

- **Purchase information (where and when you purchased this product)**
- **Copy of purchase receipt / proof of purchase**
- **Product serial number (located on electrical specification label on bottom of unit)**

For information regarding your 1 year limited warranty, refer to Page 15 of this manual.

### PRODUCT SPECIFICATIONS

<b>MODEL</b>	SF-370
<b>VOLTAGE</b>	120VAC 60Hz
<b>WATTAGE</b>	1500W
<b>AMPERAGE</b>	12.5A
<b>WATER CAPACITY</b>	48 OZ (1,420 ML)
<b>HEATING TIME</b>	8 MIN (APPROXIMATE)
<b>CONTINUOUS STEAM TIME</b>	45 MIN (APPROXIMATE)
<b>UNIT WEIGHT</b>	8.4 LBS (3.8 KG)
<b>UNIT DIMENSIONS</b>	15.4" (39.1 CM) x 12.0" (30.5 CM) x 9.5" (24.1 CM)
<b>POWER CORD LENGTH</b>	15.4' (470.0 CM)



# Warranty Information

## 2-YEAR LIMITED WARRANTY

### What is covered

Steamfast, a division of Vornado Air, LLC ("Steamfast"). Subject to the terms and conditions of this 2-Year Limited Warranty ("Warranty") as set forth below, Steamfast warrants to the original consumer or purchaser ("Buyer") that this Steamfast®-branded steam product, excluding all accessories and attachments, (the "Product") is to be free from defects in material and workmanship for a period of 2 years from the date of purchase when used and maintained in accordance with the Owner's Guide (the "Warranty Period"). In the event Buyer notifies Steamfast of a defect in the Product within the Warranty Period, Steamfast will replace the Product and/or defective component parts, as applicable and necessary. Any such replacement will be made at no charge to Buyer for parts or labor, provided that Buyer shall be responsible for all shipping and transportation costs associated with returning the Product to Steamfast for inspection and covered replacement.

### What is not covered

This Warranty shall not be applicable to damage or loss caused in whole or in part by:

- Repairs, modifications or alterations to the Product by anyone other than Steamfast.
- Use or operation of the Product outside the permitted or intended uses described by Steamfast in the Owner's Guide, or other careless operation, handling, misuse, or abuse of the Product.
- Lack of proper maintenance or timely cleaning of the Product as specified in the Owner's Guide.
- Use of the Product other than for normal household purposes.
- Normal wear and tear.
- Used consumable parts, accessories and attachments, including, but not limited to, brushes, hangers, scrub pads and mop pads.
- Use of parts and accessories other than those produced or recommended by Steamfast.
- Cosmetic damage, such as scratches, nicks and dents.
- Damage caused by accident, water, flood, fire or other acts of nature or external causes.

### Warranty limitations and exclusions

- NO OTHER EXPRESS WARRANTY IS GIVEN BY STEAMFAST TO BUYER AND NO REPRESENTATIVE HAS THE AUTHORITY TO MAKE REPRESENTATIONS OTHER THAN THOSE PROVIDED HEREIN.
- THERE ARE NO WARRANTIES WHICH EXTEND BEYOND THE DESCRIPTION ON THE FACE HEREOF AND ALL IMPLIED WARRANTIES, SPECIFICALLY THE IMPLIED WARRANTIES OF MERCHANTABILITY AND FITNESS FOR A PARTICULAR PURPOSE, ARE HEREBY EXPRESSLY LIMITED TO THE DURATION OF THE WARRANTY PERIOD, UNLESS A SHORTER PERIOD IS PERMITTED BY LAW.
- STEAMFAST'S REPLACEMENT OF THE PRODUCT IS THE EXCLUSIVE REMEDY. UNDER NO CIRCUMSTANCES SHALL STEAMFAST BE LIABLE TO BUYER OR ANY OTHER PERSON FOR ANY INCIDENTAL, SPECIAL, CONSEQUENTIAL, OR OTHER DAMAGES, EVEN IF STEAMFAST HAS BEEN ADVISED OF OR COULD REASONABLY FORESEE THE POSSIBILITY OF SUCH DAMAGES, INCLUDING, BUT NOT LIMITED TO, LOSS OF PROFITS OR DAMAGE, WHETHER ARISING OUT OF BREACH OF WARRANTY, BREACH OF CONTRACT OR UNDER ANY OTHER THEORY OF LAW.
- THIS WARRANTY GIVES BUYER SPECIFIC LEGAL RIGHTS. BUYER MAY ALSO HAVE OTHER RIGHTS WHICH VARY FROM STATE-TO-STATE. SOME STATES DO NOT ALLOW THE EXCLUSION OR LIMITATION OF INCIDENTAL OR CONSEQUENTIAL DAMAGES, AND SOME STATES DO NOT ALLOW LIMITATIONS ON HOW LONG AN IMPLIED WARRANTY LASTS, SO THE ABOVE LIMITATION OR EXCLUSION MAY NOT APPLY TO BUYER.

### How do you register the Warranty

Buyer must complete an application to register this Warranty within sixty (60) days following date of purchase. Buyer may either visit Steamfast's website at steamfast.com and complete an online application or mail a completed application to Steamfast. Failure to register this Warranty within sixty (60) days following date of purchase will render this Warranty null and void.

### Warranty service

For warranty service, call 1-800-711-6617 or email consumerservice@steamfast.com to obtain a Return Authorization ("RA") form. Include the Product model number and serial number, as well as Buyer's name, address, city, state, zip code and phone number when contacting Steamfast for warranty service. Buyer may be required to provide the original sales receipt for purposes of verifying date of purchase. After receiving the RA form, the Product must be shipped, postage prepaid by Buyer, to:

Steamfast  
Attn: Warranty & Repair  
415 E. 13th Street  
Andover, KS 67002

To assure proper handling, packages must be clearly marked with the RA number. Packages not clearly marked with the RA number may be refused at the receiving dock.

Important: After receiving return authorization, carefully pack the Product to avoid damage in shipping. Damage in shipping is not covered by the Warranty and shall be the sole responsibility of Buyer. Damage or loss not covered by this Warranty or occurring outside the Warranty Period will require a fee to cover the cost of handling and shipping. All such fees and costs shall be the sole responsibility of Buyer.

Please allow at least 1-2 weeks for return of the Product after it is received by Steamfast. For ease of recordkeeping, it is recommended that Buyer staple or attached the original sales receipt to this Owner's Guide and record the Product serial number (located on the Product specifications decal) here:

© 2017 Vornado Air, LLC • Andover, KS 67002

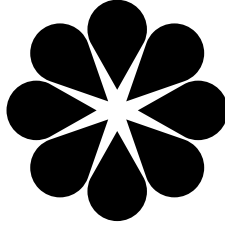
Specifications subject to change without notice.

Steamfast® is a trademark owned by Vornado Air, LLC.

Manufactured in China. Patent D623,363

Steamfast Consumer Service

W: steamfast.com • P: 1-800-711-6617 • E: consumerservice@steamfast.com



# Steamfast<sup>TM</sup>

*Steamfast*

*415 East 13th, Andover, KS 67002*

*1-800-711-6617 | [steamfast.com](http://steamfast.com) | [consumerservice@steamfast.com](mailto:consumerservice@steamfast.com)*