



# steamfast

powerful. natural. intelligent.®

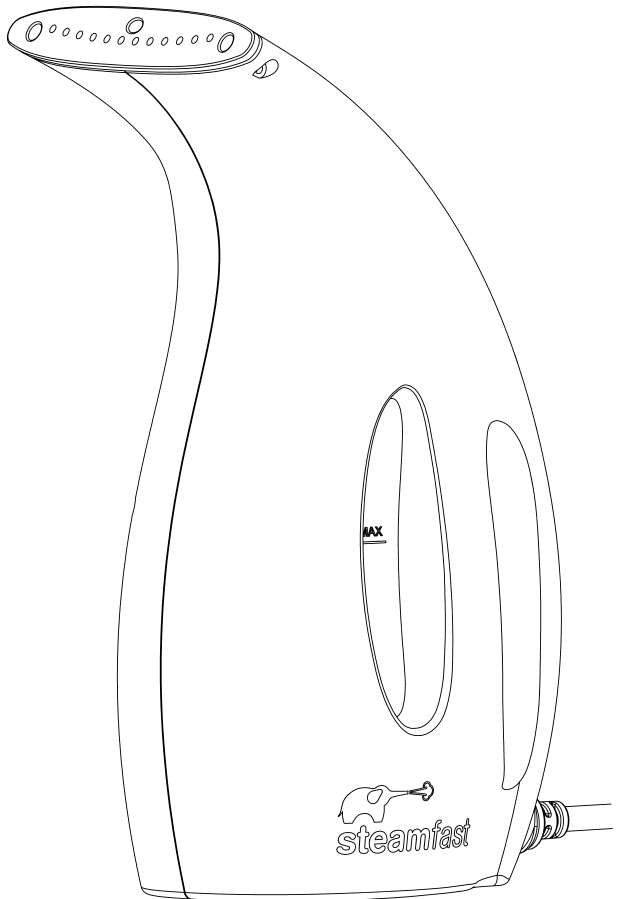
---

## Compact Fabric Steamer

MODEL SF-440W

---

### User's Guide



Please read all instructions before use.

**KEEP YOUR RECEIPT FOR WARRANTY PURPOSES.**

# IMPORTANT SAFETY INSTRUCTIONS



**WARNING:** To reduce risk of fire, electrical shock or injury, the following basic safety precautions should always be followed when using an electrical appliance.

**WARNING:** To reduce the risk of electrical shock, this appliance uses a grounded (three-pronged) plug. This plug will fit in a grounded wall outlet only one way. If the plug does not correctly fit in the outlet, contact a licensed electrician to install a proper outlet. **DO NOT** attempt to modify the plug or defeat this safety feature.

## READ ALL INSTRUCTIONS BEFORE USE



### DANGER

Any appliance is electrically live even when switched off. To reduce risk of electrical shock:

1. Always unplug power cord immediately after using.
2. Do not place or store unit where it can fall or be pulled into a sink or tub.
3. Do not place in, or drop into water or other liquid.
4. If unit falls into water, immediately unplug power cord. Do not reach into the water.



### WARNING

To reduce risk of burns, electrocution, fire, or injury to persons:

1. Use Compact Fabric Steamer only for its intended purpose as indicated in this manual.
2. If an extension cord is necessary, use a properly rated cord (15 ampere, 14 gauge). Use care to position extension cord where it is least likely to be damaged or tripped over during use.
3. Before plugging power cord into electrical outlet, be sure that all electrical information on rating label agrees with your power supply.
4. To reduce likelihood of circuit overload, **DO NOT** operate another high wattage appliance on the same circuit as this unit.
5. To protect against risk of electrical shock, do not immerse unit in water or other liquids. Do not use power cord as handle, let it hang over edges of counters, or be crimped or closed in doors.
6. Never yank power cord to disconnect from outlet; instead, grasp plug and pull to disconnect.
7. Do not operate unit with a damaged power cord or if the unit has been dropped or damaged. To avoid risk of electrical shock, do not disassemble unit; contact Steamfast Consumer Service for examination and repair. Incorrect reassembly can cause a risk of electrical shock when unit is used.
8. Close supervision is required for any appliance being used near children, pets and plants. Do not leave unit unattended while plugged in.
9. This unit is not intended for use by persons (including children) with reduced physical, sensory or mental capabilities, or lack of experience and knowledge, unless they have been given supervision or instruction concerning use of the unit by a person responsible for their safety.

- 
10. Do not use unit where aerosol-based products are being used, or where oxygen is being administered.
  11. Unit is only meant to be used with recommended Compact Fabric Steamer model SF-440W accessories. Using other types of attachments may cause damage to unit or injury.
  12. Always check that power cord is unplugged and unit is sufficiently cool (allow at least 5 minutes of cooling time after use) before filling Boiler with water. Do not attempt to use unit without properly filling Boiler.
  13. When filling Boiler, only water should be used in unit – other cleaning agents could damage unit or cause injury. Distilled or de-mineralized water is highly recommended, in order to minimize potential build-up of mineral deposits. Do not overfill unit.
  14. To reduce risk of contact with hot water emitting from Steam Nozzle, check appliance before each use by positioning it away from body and turning it on. Do not operate unit if Steam Nozzle is blocked.
  15. Burns can occur from touching hot plastic parts, hot water, or steam. Do not touch Steam Nozzle or attempt to connect any accessories while unit is in use. Use caution when you turn unit upside-down – there may be hot water in Boiler.
  16. When steaming any material for the first time, it is recommended that you consult the manufacturer's guidelines for the fabric being steamed. For items in question, test on an inconspicuous area before proceeding.
  17. Synthetic materials (such as 100% nylon or polyester) are sensitive to heat, and may be damaged by exposure to hot steam. Steam is recommended for use only on natural fibers such as cotton, linen or wool, as well as nylon or polyester blends.
  18. Do not allow power cord to touch hot surfaces during use. Loosely bundle cord when storing.
  19. Always allow Compact Fabric Steamer to cool (15 minutes for complete cooling) and empty Boiler before storing.
  20. Only plug power cord directly into 120V outlet.

## **SAVE THESE INSTRUCTIONS!**

### **FOR HOUSEHOLD USE ONLY**

---

#### **Questions or comments?**

- [www.steamfast.com](http://www.steamfast.com)
- [consumerservice@steamfast.com](mailto:consumerservice@steamfast.com)
- 1-800-711-6617

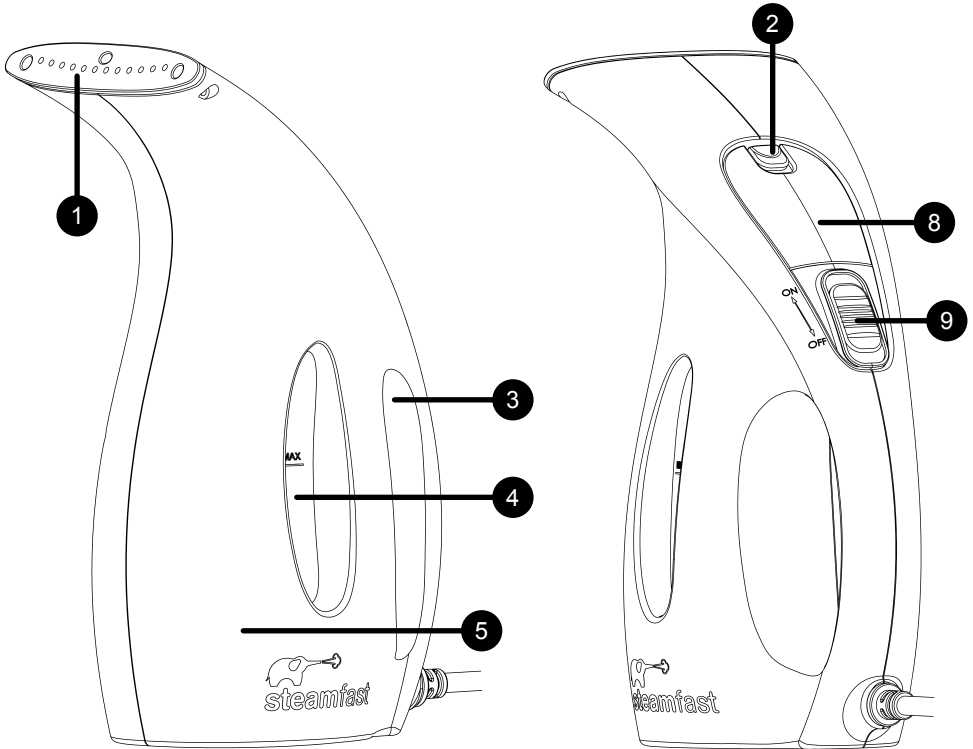
**Speak your mind! We invite you to review this product online:**  
**[www.steamfast.com/reviews](http://www.steamfast.com/reviews)**



**steamfast**

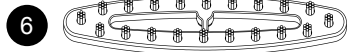
## Product Information

The following features and accessories are included with your Compact Fabric Steamer. Carefully inspect the packing material for all parts listed below. To obtain possible missing parts, refer to **Product Support** on Page 10 of this manual for Consumer Service contact information.

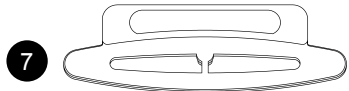


### UNIT FEATURES & ACCESSORIES

- 1 Steam Nozzle
- 2 Boiler Cap (Internal)
- 3 Handle
- 4 Boiler Level Window
- 5 Boiler Cap Cover
- 6 Fabric Brush
- 7 Lint Remover
- 8 Boiler Cap Cover
- 9 On/Off Switch



**FABRIC BRUSH**  
A440-001



**LINT REMOVER**  
A440-002

- 
- The *Steam Nozzle* (1) emits the flow of hot, penetrating steam produced by the *Boiler*.
  - The *Boiler Cap* (2) is designed to safely contain steam inside the *Boiler*, while providing easy access to the *Boiler's* fill hole.
  - The *Handle* (3) is designed to stay cool while providing maximum grip and comfort.
  - The *Boiler Level Window* (4) permits a clear view of the water level inside the *Boiler*, and is marked to indicate the maximum water level for easy filling.
  - The *Boiler* (5) is the internal reservoir where water is held and converted into steam. For optimal steam production, the *Boiler* should not be filled past the MAX mark (6.1 oz. / 180 ml.) indicated on the *Boiler Level Window*.
  - The *Fabric Brush* (6) fits onto the *Steam Nozzle* and is designed to brush away large particles such as hairs and loose threads.
  - The *Lint Remover* (7) fits onto the *Steam Nozzle* and is designed for removing small particles, particularly lint.
  - *Boiler Cap Cover* (8) hides the *Boiler Cap*.
  - *On/Off Switch* (9) power the unit On and Off.

## FILLING BOILER WITH WATER

1. Place Compact Fabric Steamer on a flat, level surface.
2. Make sure power cord is unplugged from electrical outlet.
3. Remove Boiler Cap Cover by releasing latch. Then remove Boiler Cap.

**CAUTION: If unit has been in use, allow Boiler to cool (5 minutes for minimum cooling before removing Boiler Cap and adding water.**

4. Carefully fill Boiler with water from a faucet, bottle or cup. Use Boiler Level Window to gauge water level, stopping when it reaches the MAX mark.

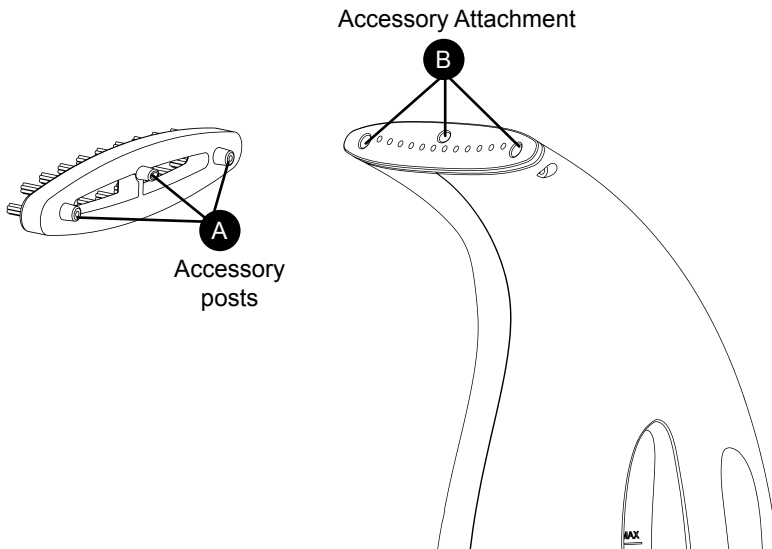
**WARNING: MAX mark on Boiler Level Window represents the unit's maximum usable water capacity (6.1 oz. / 180 ml.). Exceeding this amount will result in water spitting from Steam Nozzle.**

**NOTE: In order to minimize potential mineral build-up and prolong the life of your Compact Fabric Steamer, distilled or de-mineralized water is recommended when filling Boiler.**

5. Replace Boiler Cap by pushing Cap firmly into Boiler's fill hole until secure.

## CONNECTING ACCESSORIES

1. Select either Fabric Brush or Lint Remover – only one accessory can be used at a time.
2. Align desired accessory posts (A) onto Accessory Attachment (B), see Figure 1. Make sure accessory is securely in place.



**FIGURE 1**

## FABRIC STEAMING

**CAUTION:** When steaming any material for the first time, it is recommended that you test on a small inconspicuous area before proceeding. Do not use on synthetic fabrics such as 100% nylon or polyester, or other steam-sensitive materials.

**NOTE:** Be sure that Boiler has already been filled and any desired accessories are connected before following these steps (refer to Page 6 for details).

1. Plug power cord into a standard grounded electrical outlet.
2. After approximately 2 minutes, steam will begin emitting from Steam Nozzle.
3. Direct Steam Nozzle towards fabric material you wish to steam. See below for additional tips and procedures.

**CAUTION:** Always be sure that Steam Nozzle is pointed in a safe direction (away from yourself, other people, pets and plants) when steaming.

### Steaming garments:

- Hang garment from a clean, rust-free hanger.
- Direct Steam Nozzle towards bottom of garment. Steam will rise along inside and outside of material, removing wrinkles. Slowly slide Steam Nozzle upward from bottom to top of garment.
- Direct Steam Nozzle away from garment and smooth material with your free hand.
- Repeat as necessary until garment is fresh and wrinkle-free.

### General steaming tips:

- For most effective results, hold Steam Nozzle within 1/2" of fabrics, or press it directly against surfaces.
- Curtains and draperies can be steamed while still hanging.
- To remove wrinkles from towels, handkerchiefs and napkins, drape them over a rod or towel rack and gently steam them.
- Heavier fabrics may require repeated steaming to achieve desired results.
- To remove exceptionally stubborn wrinkles, steam both sides of fabric.
- Be especially careful when steaming any delicate fabrics that may be damaged by heat or water spotting.
- To sanitize a fabric, hold Steam Nozzle within 1/2 inch of a single area for at least 5 seconds. Use caution when doing this on more delicate fabrics.
- To remove small particles like lint, use the Lint Remover. For larger particles, especially hairs and loose threads, the Fabric Brush is more effective.

When you are finished using your Compact Fabric Steamer, immediately unplug power cord from electrical outlet. Refer to **Storage & Care** guidelines on Page 8 of this manual for proper storage and maintenance procedures.



## PROPER STORAGE

Preparing your Compact Fabric Steamer for storage is quick and simple. When you have finished your steaming tasks, follow the steps listed below.

1. Unplug power cord from electrical outlet.
2. Allow unit to cool (15 minutes for complete cooling).
3. Remove accessories from Steam Nozzle (if connected).
4. Remove Boiler Cap. Drain any water remaining in Boiler into a sink or tub, to minimize potential mineral build-up. Replace Boiler Cap.
5. Bundle power cord loosely.
6. Store Compact Fabric Steamer in a cool, dry location, along with all included accessories.

## MINERAL BUILD-UP

A common maintenance need for steam appliances is the removal of build-up caused by high mineral content in many municipal water supplies. This mineral build-up may limit the effectiveness and reduce the life of your Compact Fabric Steamer.

**The best way to minimize mineral build-up is to use distilled or de-mineralized water when using your Compact Fabric Steamer.** In addition, it is recommended that the Boiler be cleaned at least once a month in order to remove any deposits that form. This will help to extend the life of your Compact Fabric Steamer and keep it functioning at its maximum potential.

### To remove mineral build-up:

1. Unplug power cord from electrical outlet.

### **IMPORTANT: Unit should remain unplugged during cleaning procedure.**

2. Allow unit to cool (15 minutes for complete cooling).
3. Remove Accessory from Steam Nozzle (if connected).
4. Remove Boiler Cap and drain any water remaining in Boiler into a sink or tub.
5. Using a measuring cup, measure 4 oz. (118 ml.) of vinegar.
6. Slowly pour vinegar into Boiler.
7. Allow vinegar to soak in Boiler for 30-40 minutes.
8. Drain vinegar from Boiler into a sink or tub. Refill Boiler with fresh water, drain and repeat until vinegar odor dissipates.
9. Replace Boiler Cap.
10. Bundle power cord loosely and store Compact Fabric Steamer in a cool, dry location, along with all included accessories.





## TROUBLESHOOTING

PROBLEM	POSSIBLE CAUSE	SOLUTION
Unit fails to heat up.	Unit is not plugged in.	Plug power cord into electrical outlet.
	Household circuit breaker / ground fault interrupter has tripped or blown a fuse.	Reset circuit breaker / ground fault interrupter, or replace fuse. For assistance, contact a licensed electrician.
	Unit is damaged or in need of repair.	Immediately cease usage and unplug. Contact Consumer Service for assistance (see Page 10 for details).
	No water in Boiler.	Refer to <b>Filling Boiler With Water</b> procedure on Page 6 to refill Boiler.
Steam output is weak or intermittent.	Water level in Boiler is running low.	Refer to <b>Filling Boiler With Water</b> procedure on Page 6 to refill Boiler.
	Mineral build-up in unit.	Refer to <b>Mineral Build-up</b> section on Page 8 for cleaning procedure.
Unit is spewing water.	Water tank is overfilled.	Do not fill past max line.

## CONSUMER SERVICES

For problems with your Compact Fabric Steamer, please refer to the troubleshooting guide located above. Additional inquiries should be directed to our consumer support services through our Web site, [www.steamfast.com](http://www.steamfast.com).

If you do not have internet access, you may also contact our Consumer Service Department by telephone, at **1-800-711-6617**.

**NOTE: In order for our Consumer Service representatives to help you as quickly and efficiently as possible, please have the following information ready before calling:**

- Purchase information (where and when you purchased this product)
- Copy of purchase receipt / proof of purchase
- Product serial number (located near electrical specification label on bottom of unit)
- Date code (4-digit number located on electrical specification label on bottom of unit)

For information regarding your 1 Year Limited Warranty, refer to Page 11 of this manual.



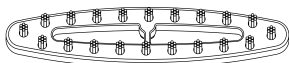
## REPLACEMENT / OPTIONAL ACCESSORIES

When ordering replacement or optional accessories for your Compact Fabric Steamer, you may refer to the part numbers below. Accessories may be ordered through our Web site:

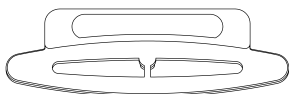
[www.steamfast.com](http://www.steamfast.com)

You may also contact Consumer Service directly:

[consumerservice@steamfast.com](mailto:consumerservice@steamfast.com) or 1-800-711-6617



**FABRIC BRUSH**  
A440-001



**LINT REMOVER**  
A440-002

**NOTE: Due to continuing improvements, part numbers listed above may change. For assistance ordering parts, please contact Consumer Service directly.**

### PRODUCT SPECIFICATIONS

<b>MODEL</b>	SF-440W
<b>VOLTAGE</b>	120V
<b>WATTAGE</b>	800W
<b>AMPERAGE</b>	6.7A
<b>WATER CAPACITY</b>	6.1 OZ. (180 ML.)
<b>HEATING TIME</b>	2 MIN. (APPROXIMATE)
<b>CONTINUOUS STEAM TIME</b>	9 MIN. (APPROXIMATE)
<b>UNIT WEIGHT</b>	1.6 LBS. (0.70 KG.)
<b>UNIT DIMENSIONS</b>	5.7" (14.5 CM.) x 3.9" (9.9 CM.) x 9.7" (24.6 CM.)
<b>POWER CORD LENGTH</b>	7.7' (235.0 CM.)



## 1-YEAR LIMITED WARRANTY

### What is covered

Steamfast, a division of Vornado Air, LLC (“Steamfast”). Subject to the terms and conditions of this 1-Year Limited Warranty (“Warranty”) as set forth below, Steamfast warrants to the original consumer or purchaser (“Buyer”) that this Steamfast®-branded steam product, excluding all accessories and attachments, (the “Product”) is to be free from defects in material and workmanship for a period of one (1) year from the date of purchase when used and maintained in accordance with the Owner’s Guide (the “Warranty Period”).

In the event Buyer notifies Steamfast of a defect in the Product within the Warranty Period, Steamfast will replace the Product and/or defective component parts, as applicable and necessary. Any such replacement will be made at no charge to Buyer for parts or labor, provided that Buyer shall be responsible for all shipping and transportation costs associated with returning the Product to Steamfast for inspection and covered replacement.

### What is not covered

This Warranty shall not be applicable to damage or loss caused in whole or in part by:

- Repairs, modifications or alterations to the Product by anyone other than Steamfast.
- Use or operation of the Product outside the permitted or intended uses described by Steamfast in the Owner’s Guide, or other careless operation, handling, misuse, or abuse of the Product.
- Lack of proper maintenance or timely cleaning of the Product as specified in the Owner’s Guide.
- Use of the Product other than for normal household purposes.
- Normal wear and tear.
- Used consumable parts, accessories and attachments, including, but not limited to, brushes, hangers, scrub pads and mop pads.
- Use of parts and accessories other than those produced or recommended by Steamfast.
- Cosmetic damage, such as scratches, nicks and dents.
- Damage caused by accident, water, flood, fire or other acts of nature or external causes.

### Warranty limitations and exclusions

- NO OTHER EXPRESS WARRANTY IS GIVEN BY STEAMFAST TO BUYER AND NO REPRESENTATIVE HAS THE AUTHORITY TO MAKE REPRESENTATIONS OTHER THAN THOSE PROVIDED HEREIN.
- THERE ARE NO WARRANTIES WHICH EXTEND BEYOND THE DESCRIPTION ON THE FACE HEREOF AND ALL IMPLIED WARRANTIES, SPECIFICALLY THE IMPLIED WARRANTIES OF MERCHANTABILITY AND FITNESS FOR A PARTICULAR PURPOSE, ARE HEREBY EXPRESSLY LIMITED TO THE DURATION OF THE WARRANTY PERIOD, UNLESS A SHORTER PERIOD IS PERMITTED BY LAW.
- STEAMFAST’S REPLACEMENT OF THE PRODUCT IS THE EXCLUSIVE REMEDY. UNDER NO CIRCUMSTANCES SHALL STEAMFAST BE LIABLE TO BUYER OR ANY OTHER PERSON FOR ANY INCIDENTAL, SPECIAL, CONSEQUENTIAL, OR OTHER DAMAGES, EVEN IF STEAMFAST HAS BEEN ADVISED OF OR COULD REASONABLY FORESEE THE POSSIBILITY OF SUCH DAMAGES, INCLUDING, BUT NOT LIMITED TO, LOSS OF PROFITS OR DAMAGE, WHETHER ARISING OUT OF BREACH OF WARRANTY, BREACH OF CONTRACT OR UNDER ANY OTHER THEORY OF LAW.
- THIS WARRANTY GIVES BUYER SPECIFIC LEGAL RIGHTS. BUYER MAY ALSO HAVE OTHER RIGHTS WHICH VARY FROM STATE-TO-STATE. SOME STATES DO NOT ALLOW THE EXCLUSION OR LIMITATION OF INCIDENTAL OR CONSEQUENTIAL DAMAGES, AND SOME STATES



**steamfast**

## Warranty Information

DO NOT ALLOW LIMITATIONS ON HOW LONG AN IMPLIED WARRANTY LASTS, SO THE ABOVE LIMITATION OR EXCLUSION MAY NOT APPLY TO BUYER.

### **How do you register the Warranty**

Buyer must complete an application to register this Warranty within sixty (60) days following date of purchase. Buyer may either visit Steamfast's website at [www.steamfast.com](http://www.steamfast.com) and complete an online application or mail a completed application to Steamfast. Failure to register this Warranty within sixty (60) days following date of purchase will render this Warranty null and void.

### **Warranty service**

For warranty service, call 1-800-711-6617 or email [consumerservice@steamfast.com](mailto:consumerservice@steamfast.com) to obtain a Return Authorization ("RA") form. Include the Product model number and serial number, as well as Buyer's name, address, city, state, zip code and phone number when contacting Steamfast for warranty service. Buyer may be required to provide the original sales receipt for purposes of verifying date of purchase. After receiving the RA form, the Product must be shipped, postage prepaid by Buyer, to:

Steamfast  
Attn: Warranty & Repair  
415 E. 13th Street  
Andover, KS 67002

To assure proper handling, packages must be clearly marked with the RA number. Packages not clearly marked with the RA number may be refused at the receiving dock.

**Important:** After receiving return authorization, carefully pack the Product to avoid damage in shipping. Damage in shipping is not covered by the Warranty and shall be the sole responsibility of Buyer. Damage or loss not covered by this Warranty or occurring outside the Warranty Period will require a fee to cover the cost of handling and shipping. All such fees and costs shall be the sole responsibility of Buyer.

Please allow at least 1-2 weeks for return of the Product after it is received by Steamfast. For ease of recordkeeping, it is recommended that Buyer staple or attached the original sales receipt to this Owner's Guide and record the Product serial number (located on the Product specifications decal) here:

---

© 2014 Vornado Air, LLC • Andover, KS 67002

Specifications subject to change without notice. Steamfast® is a trademark owned by Vornado Air, LLC.

Manufactured in China.

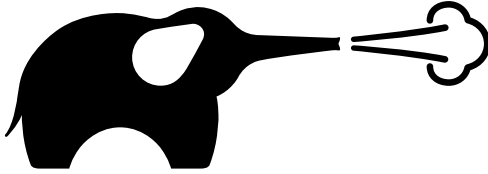
Steamfast Consumer Service W: [www.steamfast.com](http://www.steamfast.com) • P: 1-800-711-6617 •

E: [consumerservice@steamfast.com](mailto:consumerservice@steamfast.com)









# steamfast

powerful. natural. intelligent.®

---

review this product online  
[www.steamfast.com/reviews](http://www.steamfast.com/reviews)

Steamfast

415 East 13th, Andover, KS 67002

1-800-711-6617 | [www.steamfast.com](http://www.steamfast.com) | [consumerservice@steamfast.com](mailto:consumerservice@steamfast.com)

T440-005