



# Steamfast™

MODELS

SF-717 / SF-720



## HOME & AWAY STEAM IRON OWNER'S GUIDE

Guía del Propietario De La Plancha A Vapor Para Tela De Medio Porte  
Guide D'utilisation – Presse De Repassage À La Vapeur – Taille Moyenne

ENGLISH p.2 | ESPAÑOL p. 13 | FRANÇAIS p. 26

# READ ALL INSTRUCTIONS BEFORE USING

---

## IMPORTANT SAFETY INSTRUCTIONS

This owner's guide and any additional inserts are considered part of the product. They contain important information about safety, use, and disposal. Before using the product, please familiarize yourself with all operating and safety instructions. Please keep all documents for future reference and pass these documents on, together with the product, to any future owner. See [steamfast.com](http://steamfast.com) to view, download, and print the most current version of this owner's guide.

**INTENDED USE:** This product is intended to be used indoors for steam ironing in the United States and/or Canada. This product is not intended for commercial or industrial use. The manufacturer assumes no responsibility for damage or injury due to unauthorized use or product modification. Failure to follow these directions will void the product warranty.

**WARNING:** Risk to Children and Impaired Persons

Supervision is required during the installation, operation, cleaning and maintenance of this product by children 12 years of age and younger and anyone with reduced physical, sensory or mental capabilities. Children should be supervised to ensure that they do not play with the appliance, its parts and packaging material.

**INSTALLATION WARNING—To reduce risk of fire, electrical shock and injury to persons, observe the following:**

When using an iron, basic precautions should always be followed, including the following:

- Read all instructions before use.
- Use appliance only for its intended use.
- A loose fit between wall outlet (receptacle) and plug may cause overheating and distortion of the plug. Discontinue use of the product in this outlet. Contact a qualified electrician to replace loose or worn outlets.
- This appliance has a polarized plug (one blade is wider than the other.) To reduce the risk of electrical shock, this plug is intended to fit in a polarized outlet only one way. If the plug does not fit fully in the outlet, reverse the plug. If it still does not fit, contact a qualified electrician. Do not attempt to defeat this safety feature.
- Do not let the cord touch hot surfaces. Let the iron cool completely before putting the iron away. Coil the cord loosely around the iron when storing.
- To reduce likelihood of circuit overload, DO NOT operate another high wattage appliance on the same circuit as this unit.

---

**SAFE USE WARNING—To reduce risk of fire, electrical shock and injury to persons, observe the following:**

- Close supervision is required for any appliance being used near children, pets and plants. Do not leave the iron unattended while the iron is connected or on an ironing board.
- The plug must be removed from the socket-outlet before the water reservoir is filled with water.
- The filling aperture must not be opened during use.
- The iron must be used and rested on a stable surface.
- To protect against risk of electrical shock, do not immerse unit in water or other liquids. Do not use power cord as handle, allow it to hang over edge of counters, or be crimped or closed in doors.
- Always turn the iron OFF before plugging or unplugging the iron from the electrical outlet. Never pull on the cord to disconnect the iron from the electrical outlet; instead, grasp the plug and pull on the plug to disconnect the iron.
- Always disconnect the iron from the electrical outlet before filling the iron with water, emptying the water from the iron, and when the iron is not in use.
- Do not operate the iron with a damaged cord, or if the appliance has been dropped or damaged. To reduce the risk of electric shock, do not disassemble or attempt to repair the appliance, take it to a qualified service person for examination and repair. Incorrect reassembly or repair could cause a risk of fire, electric shock, or injury to persons when the appliance is used.
- Burns can occur from touching hot metal parts, hot water, or steam. Use caution when you turn a STEAM IRON upside down – there might be hot water in the reservoir.
- Do not use an extension cord to operate this unit.
- The iron is not to be used if it has been dropped, if there are visible signs of damage, or if it is leaking.
- Do not attempt to use steam function without properly filling Water Tank.
- Use caution when handling this steam unit. Burns could occur from touching hot metal parts, hot water, or steam. Use special care to avoid contact with hot water when turning the product upside down to empty the reservoir.
- To reduce the risk of contact with hot water emitting from steam vents, check appliance before each use by holding it away from body and operating steam button. Do not operate unit if steam vents are blocked.
- When filling unit, only Distilled water should be used – other cleaning agents could damage unit or cause injury.
- Always allow unit to cool completely (at least 30 minutes) before storing.
- Do not use unit where aerosol-based products are being used, or where oxygen is being administered.

- 
- When steaming/ironing any item for the first time, it is recommended that you consult the manufacturer's guidelines for material being steamed. For items in question, test on an inconspicuous area before proceeding.
  - Synthetic materials (such as 100% nylon or polyester) are sensitive to heat, and may be damaged by exposure to hot steam. Steam is recommended for use only on natural fibers such as cotton, linen or wool, as well as nylon or polyester blends.

**SERVICING WARNING—To reduce risk of fire, electrical shock and injury to persons, observe the following:**

- If Power Light does not illuminate when unit is turned ON, unit is not operating normally. Immediately unplug and have unit serviced by qualified service personnel. Immediately unplug and have unit serviced by qualified service personnel.
- If Heating Indicator Light does not illuminate when Temperature Control Dial is turned to one of three heat settings, unit is not operating normally. Immediately unplug and have unit serviced by qualified service personnel.
- Clean your product regularly, only as is instructed in this manual. Prior to cleaning, turn off the power on your product and unplug. Do not use gasoline, thinners, solvents, ammonias or other chemicals for cleaning. Refer to the cleaning instructions provided.

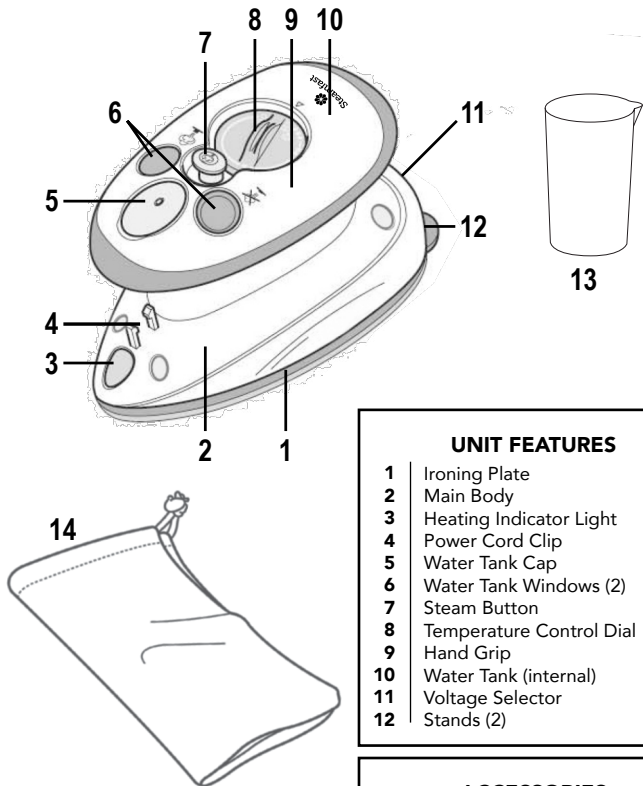
# SAVE THESE INSTRUCTIONS

---

## Questions or comments?

- [steamfast.com](http://steamfast.com)
- [consumerservice@steamfast.com](mailto:consumerservice@steamfast.com)
- 1-800-711-6617

Speak your mind! We invite you to review this product online:  
[steamfast.com/reviews](http://steamfast.com/reviews)



## UNIT FEATURES

- 1 | Ironing Plate
- 2 | Main Body
- 3 | Heating Indicator Light
- 4 | Power Cord Clip
- 5 | Water Tank Cap
- 6 | Water Tank Windows (2)
- 7 | Steam Button
- 8 | Temperature Control Dial
- 9 | Hand Grip
- 10 | Water Tank (internal)
- 11 | Voltage Selector
- 12 | Stands (2)

## ACCESSORIES

- 13 | Measuring Cup
- 14 | Travel Bag

- 
- The *Ironing Plate* is the heated, non-stick surface that is used to press fabrics, remove wrinkles and create creases.
  - The *Main Body* contains the unit's internal heating components.
  - The *Heating Indicator Light* illuminates when the Temperature Control Dial is set to one of the three heat settings. Refer to Page 8 for details.
  - The *Power Cord Clip* holds the power cord securely when wrapped around the base of the Hand Grip for storage. Refer to Page 9 for details.
  - The *Water Tank Cap* covers the Water Tank fill hole. The Water Tank Cap is tethered to the unit, and cannot be completely removed. Refer to Page 7 for details.
  - The *Water Tank Windows* let you monitor the level of water in the Water Tank. The unit must be sitting upright to correctly read the water level.
  - The *Steam Button* is pressed to activate the unit's steam function. Locking the Steam Button down disables steam; pressing the Steam Button releases it into the unlocked position, enabling steam. Refer to Page 8 for details.
  - The *Temperature Control Dial* is turned to select one the three heat settings, and to turn heating off. Refer to Page 8 for details.
  - The *Hand Grip* is ergonomically designed for user comfort. The Hand Grip contains the unit's Water Tank, and the base is specially designed for the power cord to be wrapped around for storage.
  - The *Water Tank*, located inside the Hand Grip, is designed to hold a maximum of 1.1 oz (32 ml.) water. Refer to Page 7 for details.
  - The *Voltage Selector* is the recessed switch which is used to set the unit to either 100-127V or 220-240V electrical voltage standards. By default the Voltage Selector is set to 100-127V. Refer to Page 6 for details.
  - The *Stands* are the two supports located at the rear of the Main Body. The Stands are designed to support the unit in an upright position when the Ironing Plate is hot, to help prevent damage to surfaces.
  - The *Measuring Cup* is designed to help you easily and consistently fill the Water Tank with the optimum amount of water.
  - The *Travel Bag* is designed to hold the unit and Measuring Cup for more convenient packing and travel.

## SETTING VOLTAGE

The Home & Away Steam Iron features dual-voltage functionality, which allows it to function correctly in regions with either 100-127V or 220-240V electrical voltage standards. Voltage is set using the Voltage Selector.

For use in Canada or North America, the voltage selector switch should be placed in the 120 volt position. For use in most foreign countries, the selector switch must be placed in the 240 volt position. CONFIRM the voltage available at each location before using the iron.

**NOTE: For connection to a 240 volt supply an adaptor plug may be needed.**

**IMPORTANT: By default, the Voltage Selector is set to the 100-127V setting. Be sure to select the correct voltage for your location before plugging power cord into an electrical outlet.**

To change the voltage setting:

**NOTE: These steps assume that Voltage Selector is still set to 100-127V default.**

1. Locate Voltage Selector, recessed inside slot at rear of Main Body. Note the white open notch in middle of Voltage Selector (FIGURE 1-A).
2. Find a tool with a fine tip - a pen is ideal.
3. Carefully insert tip of pen into white notch. Slide Voltage Selector to the right, towards 220-240V label (FIGURE 1-B).

**IMPORTANT: Be sure that Voltage Selector is moved as far to the right as possible for voltage setting to take effect correctly. Voltage Selector should appear as shown (FIGURE 1-C).**

4. Unit is now ready for use in a 220V region. To set unit back to 100V, reverse **STEPS 2 & 3**, this time sliding Voltage Selector as far to the left (towards 100-127V label) as possible.

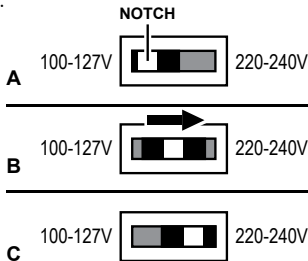


FIGURE 1

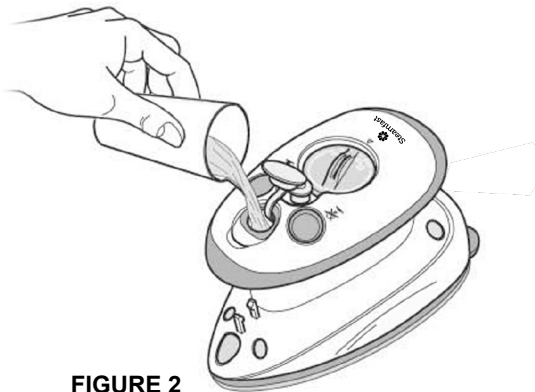
---

## FILLING WATER TANK (FOR STEAM IRONING)

1. Turn off and unplug unit.
2. Place unit (Ironing Plate down) on a flat, heat-resistant surface.
3. Fill Measuring Cup with water up to (1.1 oz. / 32 ml.).

**NOTE: In order to extend the life of your unit and keep it functioning at it's maximum potential, it is highly recommended that distilled or de-mineralized water be used in Water Tank.**

4. Open Water Tank Cap. Pour water from Measuring Cup into Water Tank (FIGURE 2). Close Water Tank Cap.



**FIGURE 2**

While steam-ironing, the Water Tank Windows let you monitor the water level in the Water Tank. When the water level becomes low:

1. Turn off and unplug unit. Allow to cool for at least 5 minutes.
2. Follow **STEPS 1-3** above.
3. Plug power cord back in and resume ironing as usual.



## OPERATING UNIT

### DRY IRONING

**IMPORTANT:** Make sure Steam Button is locked in lowered position (FIGURE 4-B) before dry ironing. This will prevent any water from accidentally dripping.

1. Plug power cord into a convenient electrical outlet.
2. Turn Temperature Control Dial clockwise so that small arrow ( $\Delta$ ) on Hand Grip (FIGURE 3-A) points to one of three heat settings on Dial (FIGURE 3-B). Heating Indicator Light will illuminate.

**NOTE:** It is recommended to start with lower temperatures first, as high settings designed for heavy materials can damage delicate fabrics.

3. When Heating Indicator Light turns off, Ironing Plate is heated and ready for use.

**NOTE:** During use, Heating Indicator Light will cycle on and off as unit works to maintain a constant temperature. You may continue to iron while Light cycles.

### STEAM IRONING

1. Plug power cord into a convenient electrical outlet.
2. Turn Temperature Control Dial clockwise as far as possible to set unit to high temperature (MAX ●●●). Heating Indicator Light will illuminate.
3. When Heating Indicator Light turns off, press Steam Button. Button will lock into raised position (FIGURE 4-A), and unit will begin emitting steam from steam vents on Ironing Plate.

**NOTE:** Unit is designed to steam horizontally. Steam flow will stop whenever unit is in vertical upright position.

4. To stop steam flow during use, press Steam Button again to lock it into the lowered position. This will prevent dripping in the upright position (FIGURE 4-B).

Once all ironing tasks are finished, immediately turn Temperature Control Dial counter-clockwise until it is set to off (O) position. **Be sure that Steam Button is locked in lowered position** - this will prevent water from accidentally dripping during next use. Prop unit upright on Stands to cool, and refer to **CARE & STORAGE GUIDELINES** on Page 9 for proper cleaning and storage.

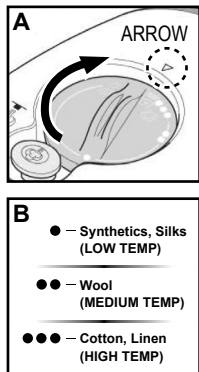


FIGURE 3

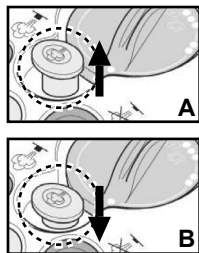


FIGURE 4



## CLEANING & STORAGE

1. Turn Temperature Control Dial to "off" (O) position. Unplug power cord.
2. Prop unit upright on Stands and allow Ironing Plate to cool for 30 minutes.
3. Open Water Tank Cap and drain any remaining water into a sink or tub. Close Cap when finished.
4. Wipe Main Body and Ironing Plate with a soft cloth lightly moistened with water.

- **DO NOT clean Ironing Plate with detergents or descalers.**
- **DO NOT clean Ironing Plate with abrasive or corrosive products.**
- **DO NOT submerge unit or hold unit under running water.**
- **DO NOT wrap power cord until the unit has cooled for 30 minutes.**

5. Wrap power cord counter clock wise around base of Hand Grip and secure end in Power Cord Clip as shown (FIGURE 5). Place unit and Measuring Cup inside Travel bag and store in a cool, dry location.



FIGURE 5

## MINERAL BUILD-UP

1. Follow **STEPS 1-3** under **CLEANING & STORAGE** section above; however, leave Water Tank Cap open.
2. Make a mixture of 0.5 oz. distilled water and 0.5 oz. vinegar.
3. Using included Measuring Cup, pour water-vinegar solution into Water Tank. Close Water Tank Cap.
4. Follow normal steam ironing procedure, as outlined on Page 8. Allow unit to steam out full contents of Water Tank. When finished, lock Steam Button in lowered position and unplug unit.
5. Allow to cool for 5 minutes, then refill Water Tank with fresh distilled water. Repeat **STEP 4** until vinegar odor dissipates.
6. Store unit as normal.



## 2-YEAR LIMITED WARRANTY

### What is covered

Steamfast, a division of Vornado Air, LLC ("Steamfast"). Subject to the terms and conditions of this 2-Year Limited Warranty ("Warranty") as set forth below, Steamfast warrants to the original consumer or purchaser ("Buyer") that this Steamfast®-branded steam product, excluding all accessories and attachments, (the "Product") is to be free from defects in material and workmanship for a period of two (2) years from the date of purchase when used and maintained in accordance with the Owner's Guide (the "Warranty Period").

In the event Buyer notifies Steamfast of a defect in the Product within the Warranty Period, Steamfast will replace the Product and/or defective component parts, as applicable and necessary. Any such replacement will be made at no charge to Buyer for parts or labor, provided that Buyer shall be responsible for all shipping and transportation costs associated with returning the Product to Steamfast for inspection and covered replacement.

### What is not covered

This Warranty shall not be applicable to damage or loss caused in whole or in part by:

- Repairs, modifications or alterations to the Product by anyone other than Steamfast.
- Use or operation of the Product outside the permitted or intended uses described by Steamfast in the Owner's Guide, or other careless operation, handling, misuse, or abuse of the Product.
- Lack of proper maintenance or timely cleaning of the Product as specified in the Owner's Guide.
- Use of the Product other than for normal household purposes.
- Normal wear and tear.
- Used consumable parts, accessories and attachments, including, but not limited to, brushes, hangers, scrub pads and mop pads.
- Use of parts and accessories other than those produced or recommended by Steamfast.
- Cosmetic damage, such as scratches, nicks and dents.
- Damage caused by accident, water, flood, fire or other acts of nature or external causes.

### Warranty limitations and exclusions

- NO OTHER EXPRESS WARRANTY IS GIVEN BY STEAMFAST TO BUYER AND NO REPRESENTATIVE HAS THE AUTHORITY TO MAKE REPRESENTATIONS OTHER THAN THOSE PROVIDED HEREIN.
- THERE ARE NO WARRANTIES WHICH EXTEND BEYOND THE DESCRIPTION ON THE FACE HEREOF AND ALL IMPLIED WARRANTIES, SPECIFICALLY THE IMPLIED WARRANTIES OF MERCHANTABILITY AND FITNESS FOR A PARTICULAR PURPOSE, ARE HEREBY EXPRESSLY LIMITED TO THE DURATION OF THE WARRANTY PERIOD, UNLESS A SHORTER PERIOD IS PERMITTED BY LAW.
- STEAMFAST'S REPLACEMENT OF THE PRODUCT IS THE EXCLUSIVE REMEDY. UNDER NO CIRCUMSTANCES SHALL STEAMFAST BE LIABLE TO BUYER OR ANY OTHER PERSON FOR ANY INCIDENTAL, SPECIAL, CONSEQUENTIAL, OR OTHER DAMAGES, EVEN IF STEAMFAST HAS BEEN ADVISED OF OR COULD REASONABLY FORESEE THE POSSIBILITY OF SUCH DAMAGES, INCLUDING, BUT NOT LIMITED TO, LOSS OF PROFITS OR DAMAGE, WHETHER ARISING OUT OF BREACH OF WARRANTY, BREACH OF CONTRACT OR UNDER ANY OTHER THEORY OF LAW.

- 
- THIS WARRANTY GIVES BUYER SPECIFIC LEGAL RIGHTS. BUYER MAY ALSO HAVE OTHER RIGHTS WHICH VARY FROM STATE-TO-STATE. SOME STATES DO NOT ALLOW THE EXCLUSION OR LIMITATION OF INCIDENTAL OR CONSEQUENTIAL DAMAGES, AND SOME STATES DO NOT ALLOW LIMITATIONS ON HOW LONG AN IMPLIED WARRANTY LASTS, SO THE ABOVE LIMITATION OR EXCLUSION MAY NOT APPLY TO BUYER.

### **How do you register the Warranty**

Buyer must complete an application to register this Warranty within sixty (60) days following date of purchase. Buyer may either visit Steamfast's website at [www.steamfast.com](http://www.steamfast.com) and complete an online application or mail a completed application to Steamfast. Failure to register this Warranty within sixty (60) days following date of purchase will render this Warranty null and void.

### **Warranty service**

For warranty service, call 1-800-711-6617 or email [consumerservice@steamfast.com](mailto:consumerservice@steamfast.com) to obtain a Return Authorization ("RA") form. Include the Product model number and serial number, as well as Buyer's name, address, city, state, zip code and phone number when contacting Steamfast for warranty service. Buyer may be required to provide the original sales receipt for purposes of verifying date of purchase. After receiving the RA form, the Product must be shipped, postage prepaid by Buyer, to:

Steamfast  
Attn: Warranty & Repair  
415 E. 13th Street  
Andover, KS 67002

To assure proper handling, packages must be clearly marked with the RA number. Packages not clearly marked with the RA number may be refused at the receiving dock.

Important: After receiving return authorization, carefully pack the Product to avoid damage in shipping. Damage in shipping is not covered by the Warranty and shall be the sole responsibility of Buyer. Damage or loss not covered by this Warranty or occurring outside the Warranty Period will require a fee to cover the cost of handling and shipping. All such fees and costs shall be the sole responsibility of Buyer.

Please allow at least 1-2 weeks for return of the Product after it is received by Steamfast. For ease of recordkeeping, it is recommended that Buyer staple or attached the original sales receipt to this Owner's Guide and record the Product serial number (located on the Product specifications decal) here:

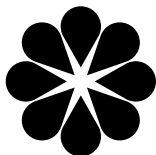
---

© 2023 Vornado Air, LLC • Andover, KS 67002

Specifications subject to change without notice. Steamfast® is a trademark owned by Vornado Air, LLC. Patented. US Pat. No. 7,062,870 B1  
Manufactured in China.

Steamfast Consumer Service

W: [steamfast.com](http://steamfast.com) • P: 1-800-711-6617 • E: [consumerservice@steamfast.com](mailto:consumerservice@steamfast.com)



# Steamfast<sup>TM</sup>

Steamfast

415 East 13th Street, Andover, KS 67002

1-800-711-6617 | [steamfast.com](http://steamfast.com) | [consumerservice@steamfast.com](mailto:consumerservice@steamfast.com)

T717-005 RB, V00